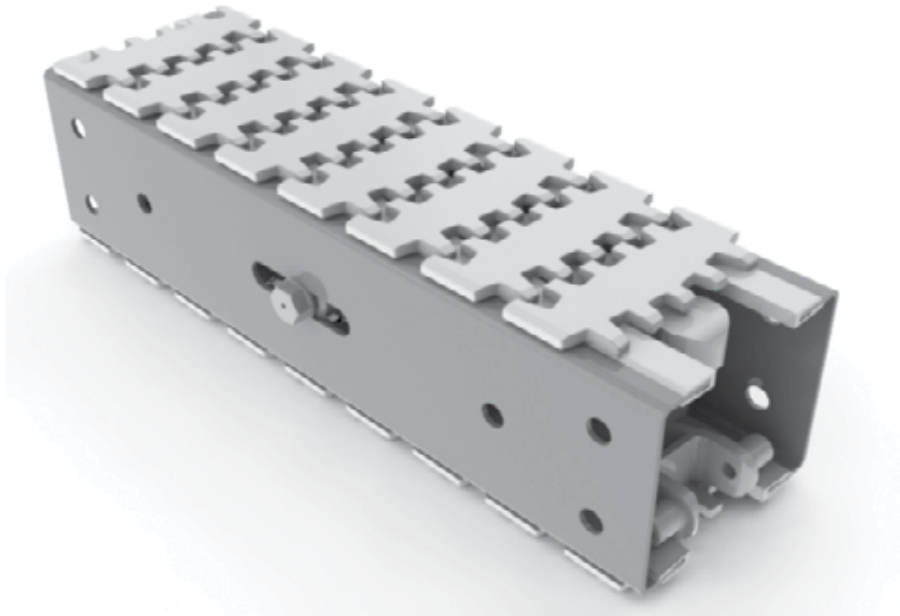


## SM

83mm Stainless  
Steel Conveyor  
System



SM

## SM SERIES

Variety of chain type suitable for wide range of applications either horizontal or vertically product transportation.

### SM Series Characteristic

**Beam Width:** 85mm

**Product Width:** Refer to Guide Rail Assembly

### Accessories Needed

**Slide Rail Required:** FASR-25 OR FASR-25U

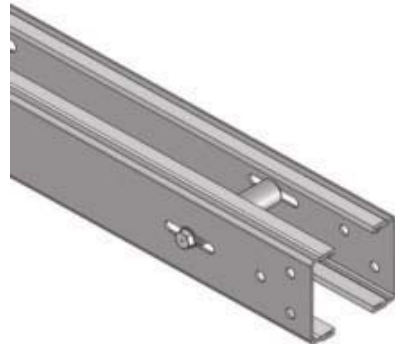
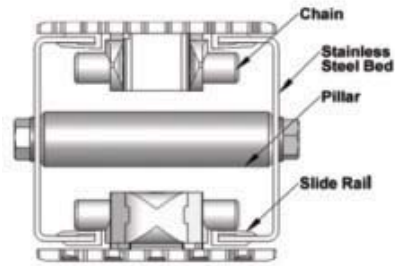
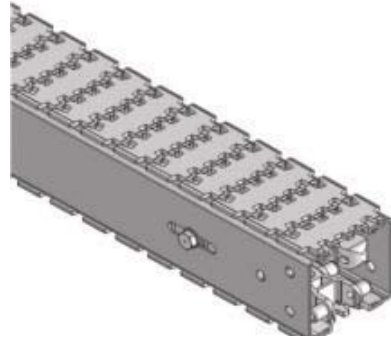
**Slide Rail Colour:** White Or Natural Colour

**Slide Rail Material:** HDPE OR UHMW

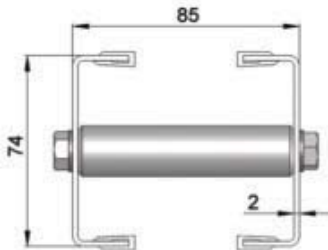
**Slide Rail Rivet:** FASLS-M5

Connecting strip is used to connect 2 beams.

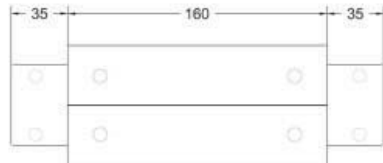
**Connecting Strip:** SACS-50x75



### Conveyor Beam **SMCB**



### Conveyor Beam **SMCC-160**





**SMIE-320**  
Idler End



**SMDD-R**  
Direct Drive



**SAHBS-90M**  
Horizontal  
Beam Support



**Tripod  
Structure**

SM

# SM SERIES

## Chain Common Data

**Packaging:** 5m per box

**Pitch:** 33.5mm

**Width:** 83mm

Tensile Strength at 20°C: 6000N

**Colour:** White & Black (Conductive)

### Material :-

**Chain:** White Acetal / POM

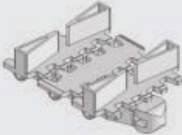
**Pivot:** Polyamide

**Pivot Pin:** Stainless Steel

**Insert (Wedge & Friction):** TPE Grey

### Example for FMCT-5A17-L#

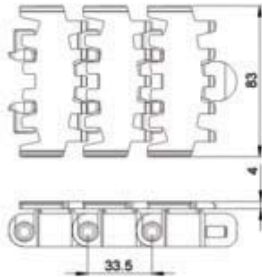
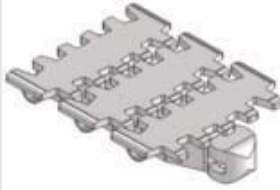
# = 1 cleated top chain with alternate of # link of plain chain



The above chain is FMCT-5A17-L1, 1 link cleated top chain with alternate of 1 link of plain chain.

**Note:** # = 1, 2, 3, 4, 5.....20

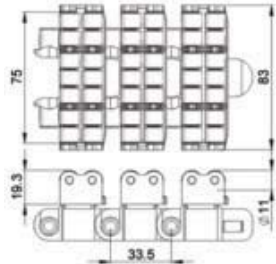
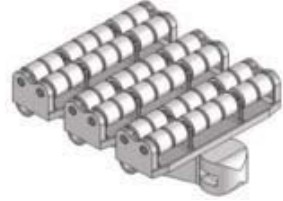
## Standard Plain Chain **FMPC-5**



**UOM: 5 Meter / box**

Application: Suitable for horizontal and slope < 5° transport of products with accumulation.

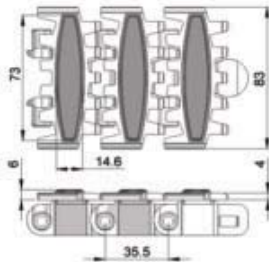
## Roller Top Chain **FMRT-5**



**UOM: 5 Meter / box**

Application: Suitable for accumulation of product with low friction and pressure.

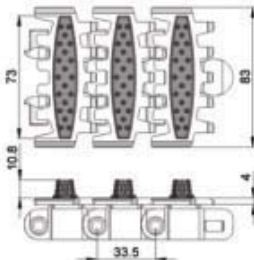
## Friction Top Chain **FMFT-5**



**UOM: 5 Meter / box**

Application: Suitable for transport product in slope > 5° but ≤ 30° without accumulation.

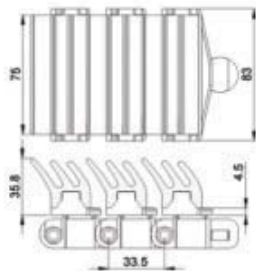
## Wedge Top Chain **FSWT-5A**



**UOM: 5 Meter / box**

Application: Vertical Wedge transportation of products.

## S/steel Top Chain **FSST-5S**

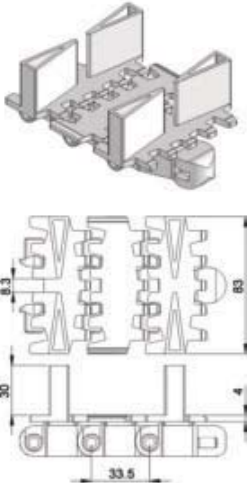


**UOM: 5 Meter / box**

Application: Vertical Wedge transportation of products (Heavy duty)

Cleat Top Chain **FMCT-5A30-L#**

# = 1, 2, 3, 4, 5.....20

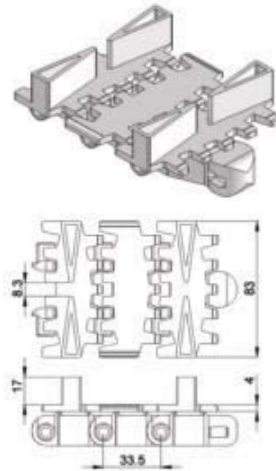


**UOM: 5 Meter / box**

Application: Suitable for vertical transport of product with no accumulation.

Cleat Top Chain **FMCT-5A17-L#**

# = 1, 2, 3, 4, 5.....20



**UOM: 5 Meter / box**

Application: Suitable for vertical transport of product with no accumulation.



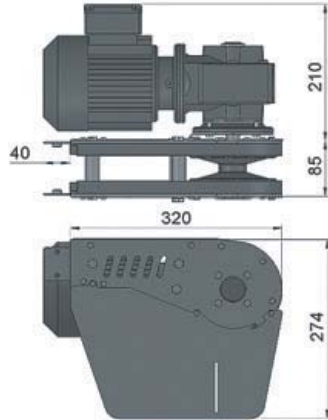
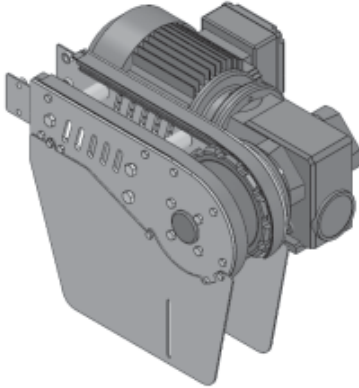
# SM SERIES

## SM Direct End Drive with Motor (LEFT)

SMDD-A85-0.25L, 0.37L, 0.55L

## SM Direct End Drive without Motor (LEFT)

SMDD-A85-0L



### Max Traction Force : 1250N

The Direct End Drive Unit is without torque limiter. Standard attached gear motors are with SEW motor size 0.25kW, 0.37kW & 0.55kW. SMDD-A85-0L represents direct drive without motor. Multi channel drives available upon request.

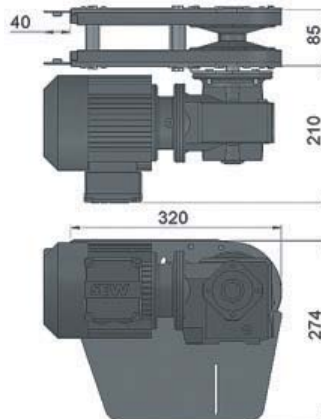
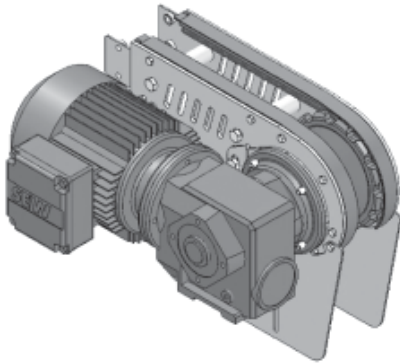
**UOM : pc** Chain required 2-way : 0.8 meter Slide rail required 2-way: 0.5 meter

## SM Direct End Drive with Motor (RIGHT)

SMDD-A85-0.25R, 0.37R, 0.55R

## SM Direct End Drive without Motor (RIGHT)

SMDD-A85-0R



### Max Traction Force : 1250N

The Direct End Drive Unit is without torque limiter. Standard attached gear motors are with SEW motor size 0.25kW, 0.37kW & 0.55kW. SMDD-A85-0R represents direct drive without motor. Multi channel drives available upon request.

**UOM : pc** Chain required 2-way : 0.8 meter Slide rail required 2-way: 0.5 meter

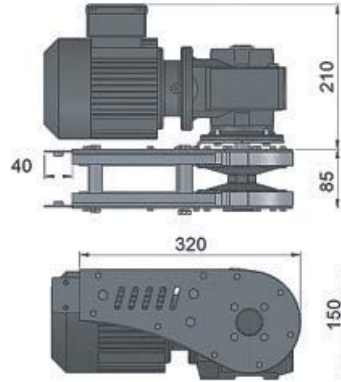
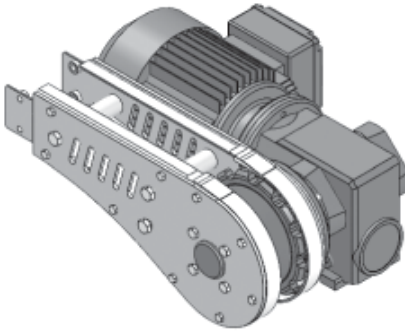
SEW gear motors are products of SEW Eurodrive

SM Direct End Drive GP with Motor (LEFT)

SMDD-A85GP-0.25L, 0.37L, 0.55L

SM Direct End Drive GP without Motor (LEFT)

SMDD-A85GP-0L



**Max Traction Force : 1250N**

The Direct End Drive is used for vertical wedge conveyor. Standard attached gear motors are with SEW motor size 0.25kW, 0.37kW & 0.55kW. SMDD-A85GP-0L represents direct drive without motor.

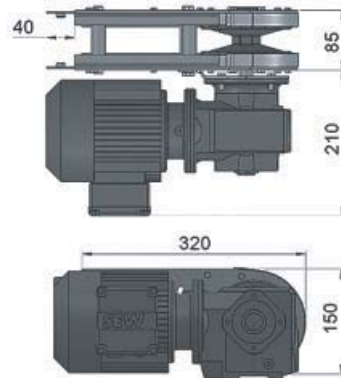
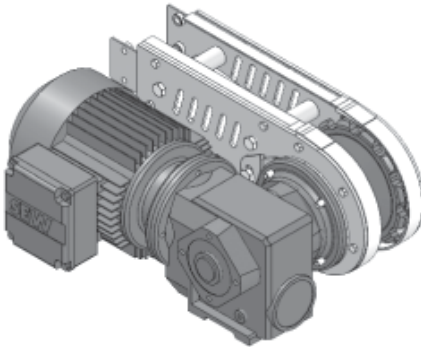
**UOM : pc** Chain required 2-way : 0.8 meter Slide rail required 2-way: 0.5 meter

SM Direct End Drive GP with Motor (RIGHT)

SMDD-A85GP-0.25R, 0.37R, 0.55R

SM Direct End Drive GP without Motor (RIGHT)

SMDD-A85GP-0R



**Max Traction Force : 1250N**

The Direct End Drive GP is used for vertical wedge conveyor Standard attached gear motors are with SEW motor size 0.25kW, 0.37kW & 0.55kW. SMDD-A85GP-0R represents direct drive without motor.

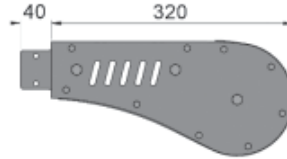
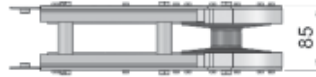
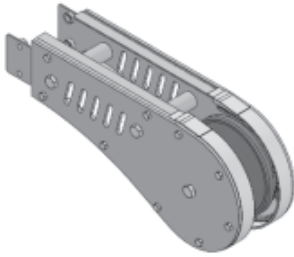
**UOM : pc** Chain required 2-way : 0.8 meter Slide rail required 2-way: 0.5 meter

SEW gear motors are products of SEW Eurodrive

# SM SERIES

## SM Idler End-A85

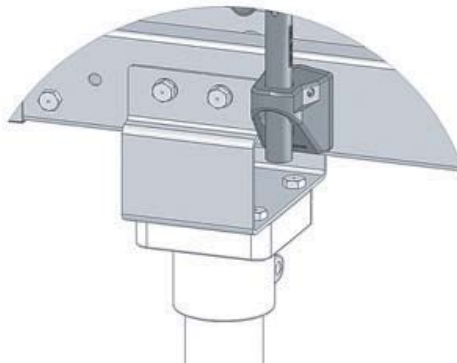
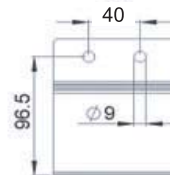
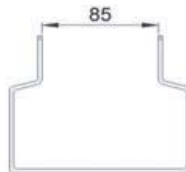
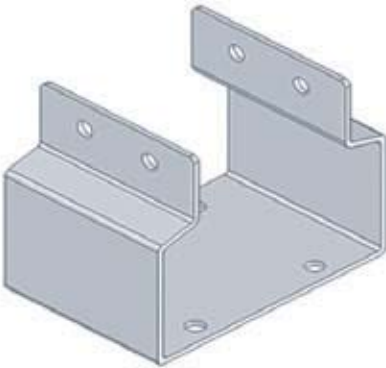
SMIE-A85



**UOM : pc** Chain required 2-way : 0.8 meter Slide rail required 2-way: 0.5 meter

## SAHBS-90M

SM Horizontal beam support bracket – Stainless Steel

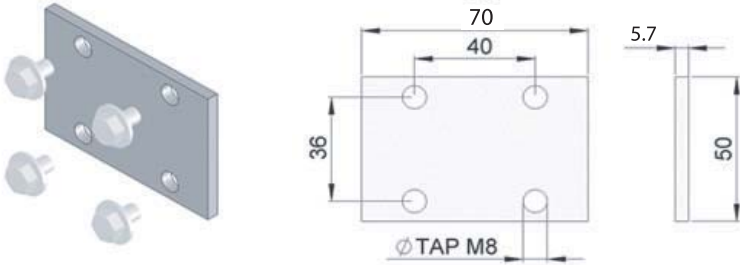


**UOM : pc**

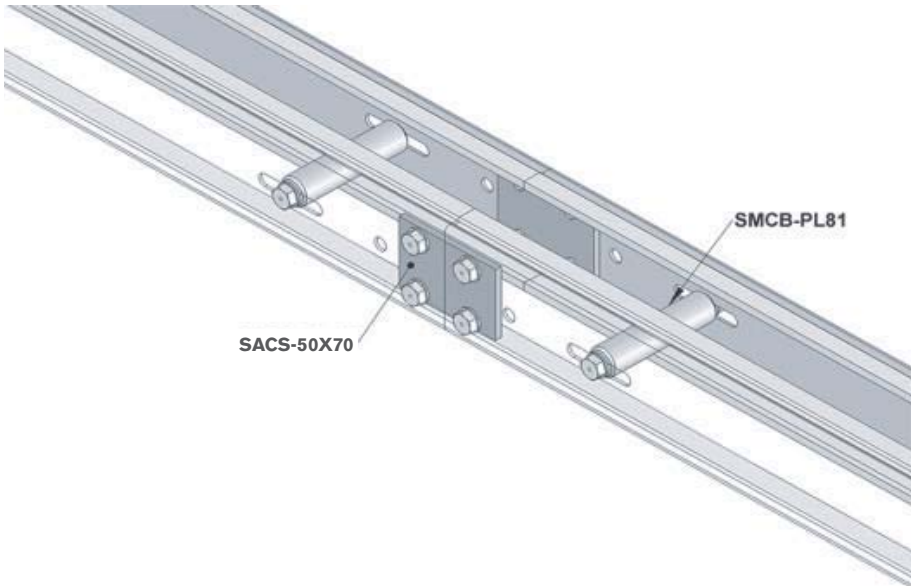


SACS-50x70

Connecting Strip – Stainless Steel



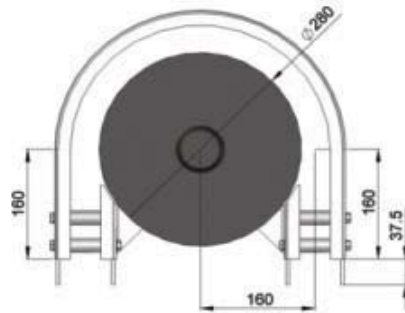
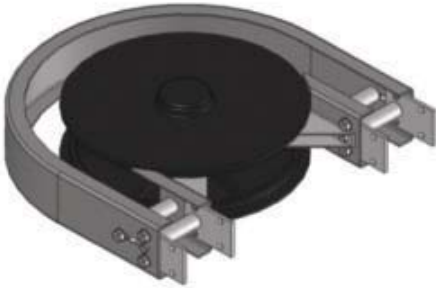
UOM : pc



# SM SERIES

## SM Wheel Bend 180°

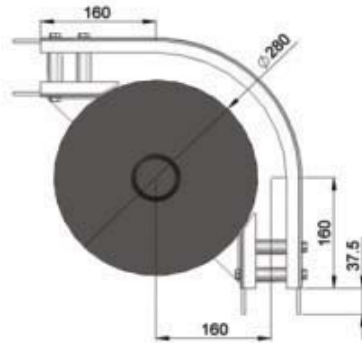
SMWB-180R160A



**UOM : pc** Chain required 2-way : 1.4 meter Slide rail required 2-way: 2.8 meter

## SM Wheel Bend 90°

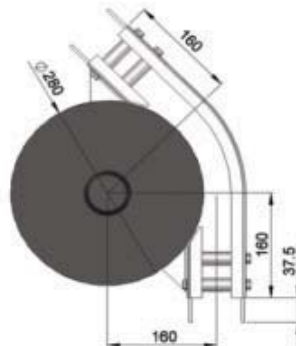
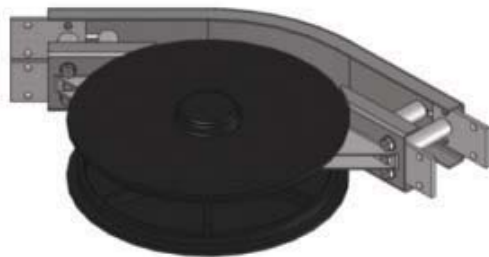
SMWB-90R160A



**UOM : pc** Chain required 2-way : 0.9 meter Slide rail required 2-way: 1.7 meter

## SM Wheel Bend 45°

SMWB-45R160A



**UOM : pc** Chain required 2-way : 0.6 meter Slide rail required 2-way: 1.2 meter

SM Wheel Bend 5° - 180°

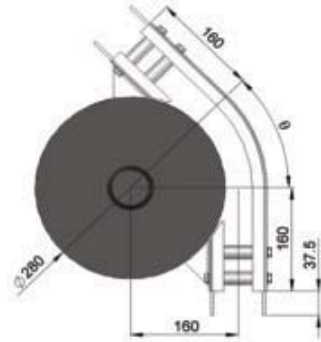
**Example for SM Wheel Bend Ordering**

- Wheel bend,  $\varnothing \pm 1^\circ$

If angle of 65° is needed for wheel bend, so the ordering part number is

**SMWB-65R160**

*The outer bend is assembled using connecting strip (SACS-50x75).  
Angle of  $\varnothing^\circ$  must be indicated when ordering.*

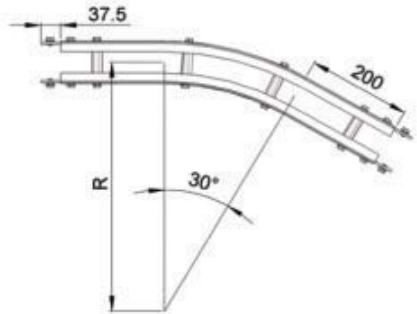


SM Horizontal Plain Bend 30°



**UOM : pc**

Chain required 2-way (500, 700) : 1.4, 1.6 meter  
Slide rail required 2-way( 500, 700): 2.8, 3.2 meter



**Horizontal plain bend, 30° ± 1°**

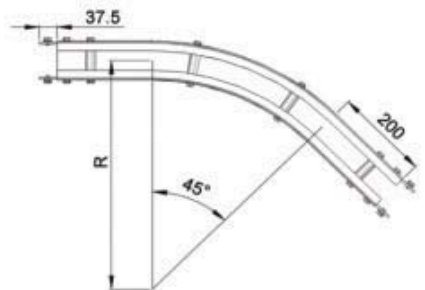
R = 500 ± 10mm      **SMHB-30R500**  
R = 700 ± 10mm      **SMHB-30R700**

SM Horizontal Plain Bend 45°



**UOM : pc**

Chain required 2-way (500, 700) : 1.6, 1.9 meter  
Slide rail required 2-way(500, 700): 2.9, 3.3 meter

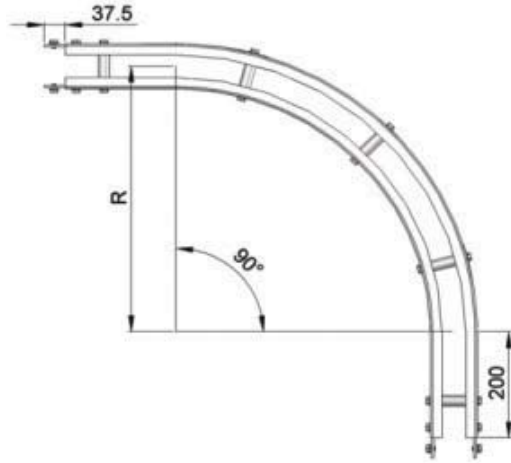
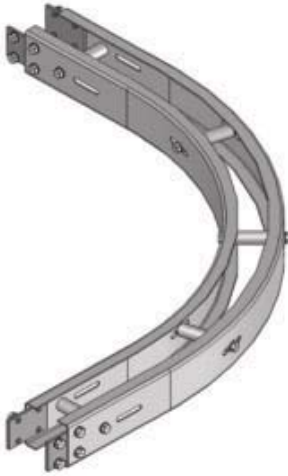


**Horizontal plain bend, 45° ± 1°**

R = 500 ± 10mm      **SMHB-45R500**  
R = 700 ± 10mm      **SMHB-45R700**

# SM SERIES

## SM Horizontal Plain Bend 90°



**UOM : pc**

Chain required 2-way (500, 700) : 2.4, 3.0 meter  
 Slide rail required 2-way(500, 700): 4.8, 6.0 meter

**Horizontal plain bend, 90° ± 1°**

R = 500 ± 10mm      **SMHB-90R500**  
 R = 700 ± 10mm      **SMHB-90R700**

## SM Horizontal Plain Bend 5° - 90°

### Example for SM Horizontal Plain Bend Ordering

**Horizontal plain bend, θ° ± 1°**

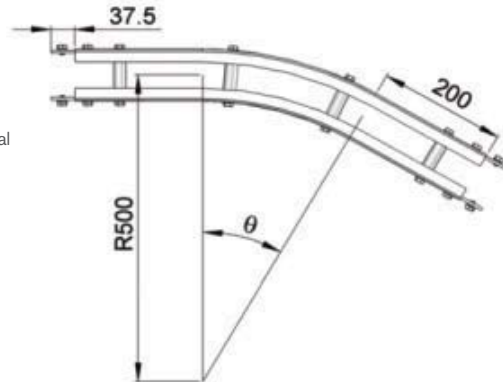
R = 500 ± 10mm      **SMHB-θR500**  
 R = 700 ± 10mm      **SMHB-θR700**

If angle of 70 is needed for radius R500 horizontal plain bend, so the ordering part number is

**SMHB-70R500**

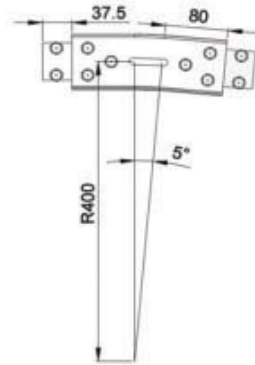
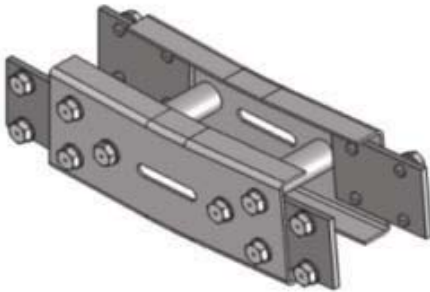
**UOM : pc**

Chain required 2-way (500, 700) : meter (variable to angle)  
 Slide rail required 2-way(500, 700): meter (variable to angle)



SM Vertical Bend 5°

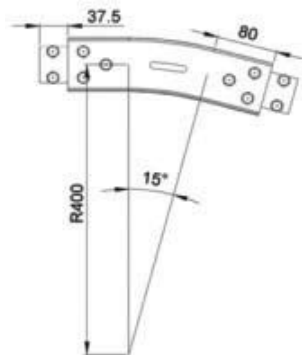
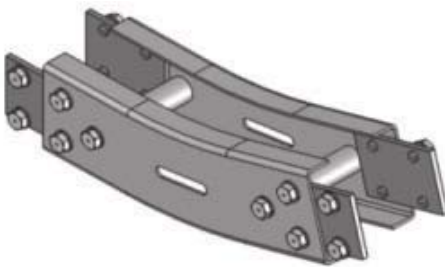
SMVB-5R400



UOM : pc Chain required 2-way: 0.4 meter Slide rail required 2-way: 0.8 meter

SM Vertical Bend 15°

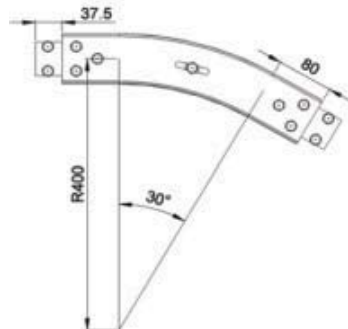
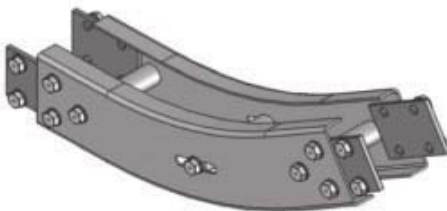
SMVB-15R400



UOM : pc Chain required 2-way: 0.6 meter Slide rail required 2-way: 1.1 meter

SM Vertical Bend 30°

SMVB-30R400



UOM : pc Chain required 2-way: 0.8 meter Slide rail required 2-way: 1.5 meter

## SM SERIES

### SM Vertical 5° - 90°

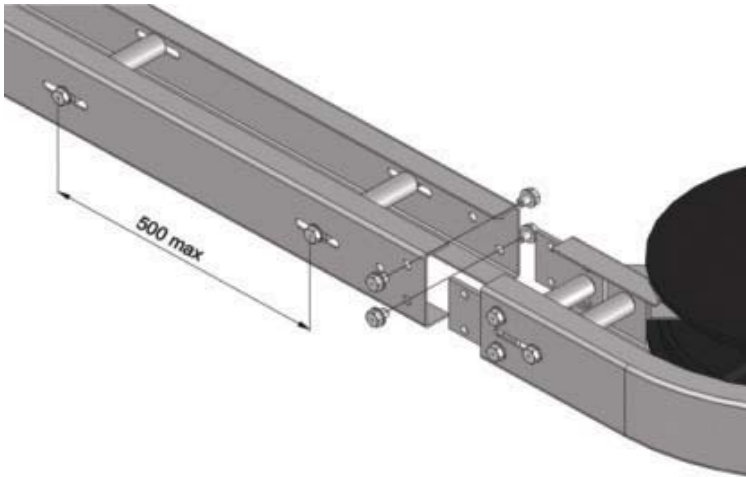
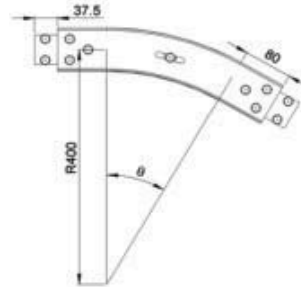
#### Example for SM Vertical Bend Ordering

- Vertical bend,  $\varnothing^\circ \pm 1^\circ$

If angle of 25° is needed for vertical bend, so the ordering part number is

**SMVB-25R400**

*The outer bend is assembled using connecting strip (SACS-50x75).  
Angle of  $\varnothing^\circ$  must be indicated when ordering.*



### SM Tripod Support Structure

SBSM-HXXXX, H=500, 1000, 1500

